

**12.1" Color LCD Marine Radar**

Model

**FR-8065/8125/8255**

(6 kW)

(12 kW)

(25 kW)

*Furuno's advanced DSP technology brings a new level of performance to marine radar*

DSP: Digital Signal Processing



Auto Tuning



AIS



Target Tracking



Enhanced Sunlight Viewable



UHD  
Ultra High Definition

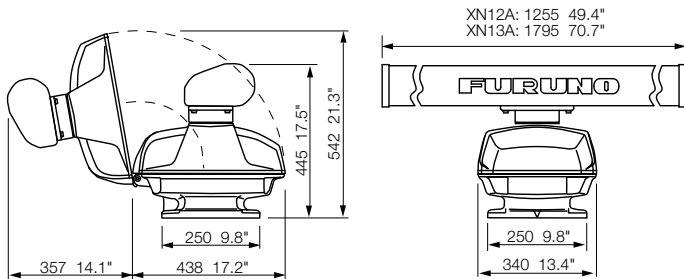
SPECIFICATIONS	FR-8065 (6 kW)	FR-8125 (12 kW)	FR-8255 (25 kW)
<b>GENERAL</b>			
Maximum Range Scale	72 NM	72 NM	96 NM
Range discrimination		25 m	
Bearing discrimination		XN12A: 1.9° XN13A: 1.2°	
Minimum Detection Range		25 m	
<b>ANTENNA</b>			
Length		4 ft (XN12A) or 6 ft (XN13A)*	
Rotation Speed		24 rpm or 48 rpm*	
Wind Load		24 rpm: 100 kn 48 rpm: 70 kn	
Beamwidth (Horizontal)		XN12A: 1.9° XN13A: 1.35°	
Beamwidth (Vertical)		22°	
<b>RF TRANSCEIVER</b>			
Frequency		9410±30 MHz (X-band)	
Output Power	6 kW	12 kW	25 kW
<b>DISPLAY</b>			
Screen Size		12.1 inch color LCD	
Pixel Number		800 (V) x 600 (H) pixels (SVGA)	
<b>POWER SUPPLY</b>			
Power Supply		24 VDC	
Power Consumption	24 rpm: 86.4 W 48 rpm: 93.6 W	24 rpm: 93.6 W 48 rpm: 108 W	24 rpm: 127.2 W 48 rpm: 136.8 W
<b>INTERFACE</b>			
Input / Output	Input: NMEA0183 Ver. 1.5/2.0/3.0/4.0, AD-10 format Output: NMEA0183 Ver. 1.5/2.0/3.0/4.0, contact signal		
<b>ENVIRONMENT</b>			
Temperature	Antenna Unit: -25 °C to +55 °C Display Unit: -15 °C to +55 °C		
Waterproofing	Antenna Unit: IP26 Display Unit: IP55 (front) IP22 (rear)		
<b>EQUIPMENT LIST</b>			
Standard	Display Unit, Antenna Unit, Power Supply Unit (for FR-8255 only), Installation materials and spare parts		
Option	Auto Plotter Kit ARP-11, External Alarm Buzzer OP03-21, Cable assy., Flush Mount Kit		

\*Specify the antenna length and rotation speed when ordering.

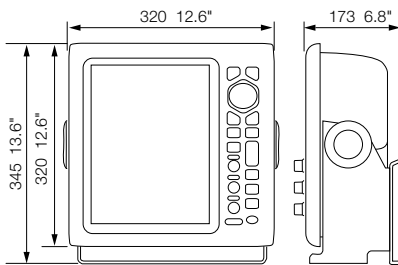
**DIMENSIONS**

**Antenna Unit**

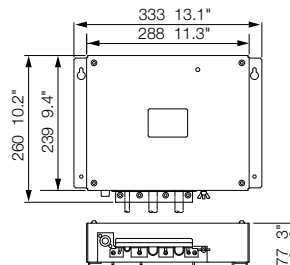
XN12A: 25 kg 55.1 lb  
XN13A: 27 kg 59.5 lb



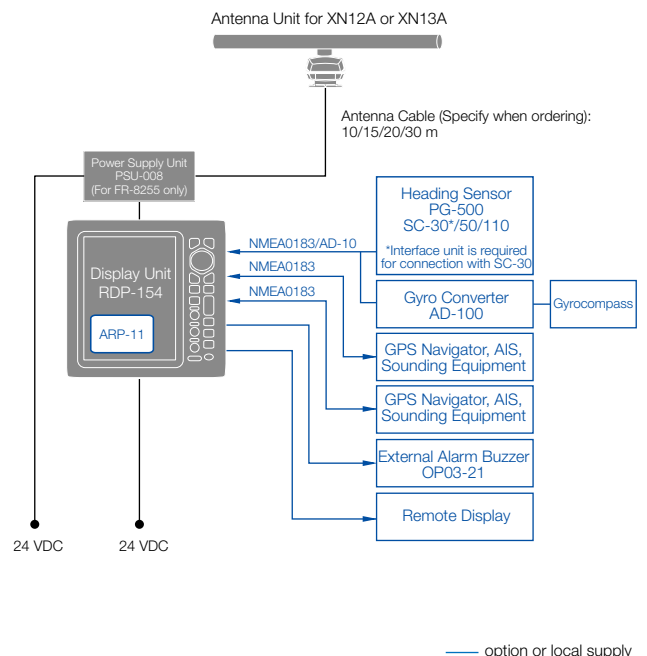
**Display Unit RDP-154 5.8 kg 12.8 lb**



**Power Supply Unit PSU-008 2.7 kg 6 lb**



**INTERCONNECTION DIAGRAM**



All brand and product names are registered trademarks, trademarks or service marks of their respective holders.

SPECIFICATIONS SUBJECT TO CHANGE WITHOUT NOTICE  
PLEASE READ MANUAL BEFORE USING THE UNIT

**FURUNO ELECTRIC CO., LTD.**  
Nishinomiya, Hyogo, Japan  
www.furuno.com

**FURUNO U.S.A., INC.**  
Camas, Washington, U.S.A.  
www.furunousa.com

**FURUNO NORGE A/S**  
Ålesund, Norway  
www.furuno.no

**FURUNO (UK) LIMITED**  
Havant, Hampshire, U.K.  
www.furuno.co.uk

**FURUNO DANMARK A/S**  
Hvidovre, Denmark  
www.furuno.dk

**FURUNO SVERIGE AB**  
Västra Frölunda, Sweden  
www.furuno.se

**FURUNO FRANCE S.A.S.**  
Bordeaux-Mérignac, France  
www.furuno.fr

**FURUNO ITALIA S.r.l.**  
Genoa, Italy

**FURUNO ESPAÑA S.A.**  
Madrid, Spain  
www.furuno.es

**FURUNO FINLAND OY**  
Espoo, Finland  
www.furuno.fi

**FURUNO POLSKA Sp. z o.o.**  
Gdynia, Poland  
www.furuno.pl

**FURUNO EURUS LLC**  
St. Petersburg, Russian Federation  
www.furuno.com.ru

**FURUNO DEUTSCHLAND GmbH**  
Rellingen, Germany  
www.furuno.de

**FURUNO HELLAS S.A.**  
Glyfada, Greece  
www.furuno.gr

**FURUNO (CYPRUS) LTD**  
Limassol, Cyprus  
www.furuno.com.cy

**FURUNO SHANGHAI CO., LTD.**  
Shanghai, China  
www.furuno.com/cn

**RICO (PTE) LTD**  
Singapore  
www.rico.com.sg

1401PDF  
Catalogue No. R-205a

