

The Performance, Reliability, Quality and Value You Asked For



Actual size



Compact and IPX7 Submersible Body

Withstands 1m depth of water for 30 minutes.



Powerful Front Mount Speaker

Delivers loud and intelligible audio even in noisy maritime environments.



Class Leading Receiver Performance

No compromise in operating fundamentals (75dB typical IMD and selectivity).



Large Easy-to-see LCD

Large (WxH: 43x27mm) LCD shows essential information clearly with 4-step backlighting.



Dualwatch and Tri-watch Function

Monitors CH 16 and/or call channel, while using another channel.



Favorite Channel Function

Offers quick channel selection from the microphone up/down buttons.



AquaQuake™ Draining Function

Water free speaker grill for optimal audio at all times.



Other Features

- Accurate and reliable temperature compensated frequency stability
- Channel operation with the supplied hand microphone, HM-164B
- Instant-access button for Channel 16 and call channel
- Priority scan and Normal scan
- Built-in low voltage indicator
- Programmable private channels (subject to local regulations)

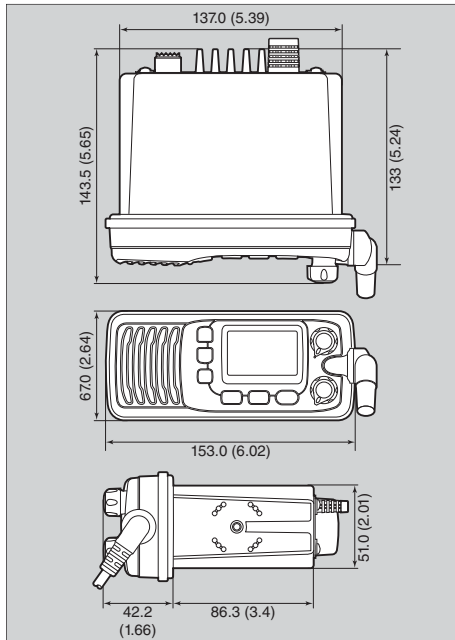
OPTIONS

Some options may not be available in some countries. Please ask your dealer for details.

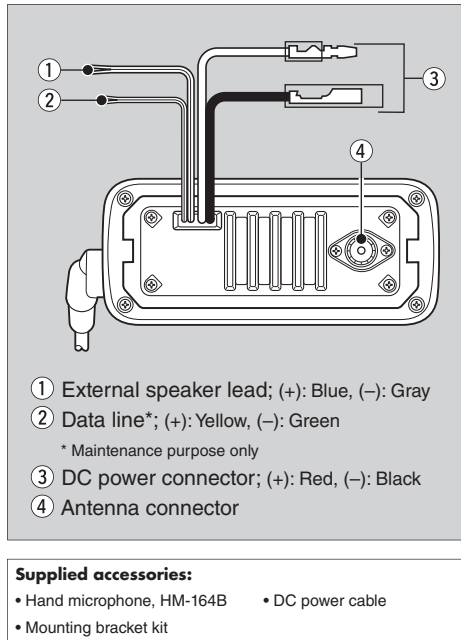


HAND MICROPHONE
HM-164B
IPX7 submersible
(1m depth for 30 minutes).
Same as supplied.

DIMENSIONS



REAR PANEL CONNECTIONS



SPECIFICATIONS

| GENERAL | | |
|--|--|---|
| Frequency range | Tx Rx | 156.025–162.000MHz 156.025–162.025MHz |
| Usable channel groups | | INT, USA, CAN channels |
| Type of emission | | 16K0G3E (FM) |
| Power supply voltage | | 13.8V DC nominal (11.7V–15.9V DC) |
| Current drain | Tx (at 25W output) Rx (Maximum audio) | 5.5A (Maximum) 1.5A (Maximum) |
| Operating temperature range | | –20°C to +60°C; –4°F to +140°F |
| Antenna impedance | | 50Ω |
| Dimensions (W×H×D) (projections not included) | | 153×67×133 mm; 6.0×2.6×5.2 inch |
| Weight (approximately) | | 790g; 1.7lb |
| TRANSMITTER | | |
| Output power | | 25W (High power) 1W (Low power) |
| Modulation | | Variable reactance frequency modulation |
| Max. frequency deviation | | ±5kHz |
| Frequency stability | | ±5ppm |
| Spurious emissions | | Less than –70dBc (High power) Less than –56dBc (Low power) |
| Adjacent channel power | | More than 70dB |
| Audio harmonic distortion | | Less than 10% (at 60% dev.) |
| Residual modulation | | More than 40dB |
| RECEIVER | | |
| Intermediate frequency | 1st 2nd | 21.7MHz 450kHz |
| Sensitivity | | –14dBμ typ. (at 12dB SINAD) |
| Squelch sensitivity | | Less than –10dBμ |
| Adjacent channel selectivity | | 75dB typical |
| Spurious response | | 75dB typical |
| Intermodulation | | 75dB typical |
| Hum and noise | | More than 40dB |
| Audio output power | | 4.5W typical (at 10% distortion with a 4Ω load) |

Measurements made in accordance with TIA/EIA 603. All stated specifications are subject to change without notice or obligation.

Applicable U.S. Military Specifications

| Standard | MIL 810 G | |
|-------------------|-----------|-----------|
| | Method | Procedure |
| Temperature Shock | 503.5 | I |
| Rain Blowing/Drip | 506.5 | I, III |
| Humidity | 507.5 | – |
| Salt Fog | 509.5 | – |
| Vibration | 514.6 | I |
| Shock | 516.6 | I |

Also meets equivalent MIL-STD-810-C, -D, -E and -F.

Applicable IP Rating

| Ingress Protection Standard | |
|-----------------------------|------------------------------|
| Water | IPX7 (Waterproof protection) |



Designed, engineered and Made in Japan.

All Icom products are tested to pass rigorous in-house tests as well as environmental tests at the Wakayama Icom plant before shipping. Our world-leading products and quality is legendary.



The "3D GENUINE Icom label" is attached to the rear panel. Check the Icom website for details:
<http://www.icom.co.jp/world/genuine-info/>

Icom, Icom Inc. and Icom logo are registered trademarks of Icom Incorporated (Japan) in Japan, the United States, the United Kingdom, Germany, France, Spain, Russia, Australia, New Zealand and/or other countries. AQUAQUAKE is a trademark of Icom Incorporated. All other products or brands are registered trademarks or trademarks of their respective holders.

Icom Inc. 1-1-32, Kami-minami, Hirano-Ku, Osaka 547-0003, Japan Phone: +81 (06) 6793 5302 Fax: +81 (06) 6793 0013 www.icom.co.jp/world **Count on us!**

Icom America Inc.
12421 Willows Road NE,
Kirkland, WA 98034, U.S.A.
Phone: +1 (425) 454-8155
Fax: +1 (425) 454-1509
E-mail: sales@icomamerica.com
URL: <http://www.icomamerica.com>

Icom (Europe) GmbH
Communication Equipment
Auf der Krautweide 24
65812 Bad Soden am Taunus, Germany
Phone: +49 (6196) 76685-0
Fax: +49 (6196) 76685-50
E-mail: info@icom-europe.com
URL: <http://www.icomeurope.com>

Icom France s.a.s.
Zac de la Plaine,
1 Rue Brindejone des Moulinais, BP 45804,
31505 Toulouse Cedex 5, France
Phone: +33 (5) 61 36 03 03
Fax: +33 (5) 61 36 03 00
E-mail: icom@icom-france.com
URL: <http://www.icom-france.com>

Asia Icom Inc.
6F No. 68, Sec. 1 Cheng-Teh Road,
Taipei, Taiwan, R.O.C.
Phone: +886 (02) 2559 1899
Fax: +886 (02) 2559 1874
E-mail: sales@asia-icom.com
URL: <http://www.asia-icom.com>

Your local distributor/dealer:

Icom Canada
Glenwood Centre #150-6165
Highway 17A, Delta, B.C.,
V4K 5B8, Canada
Phone: +1 (604) 952-4266
Fax: +1 (604) 952-0090
E-mail: info@icomcanada.com
URL: <http://www.icomcanada.com>

Icom Spain S.L.
Ctra. Rubi, No. 88 "Edificio Can Castanyer"
Bajos A 08174, Sant Cugat del Valles,
Barcelona, Spain
Phone: +34 (93) 590 26 70
Fax: +34 (93) 589 04 46
E-mail: icom@icomspain.com
URL: <http://www.icomspain.com>

Icom (Australia) Pty. Ltd.
Unit 1 / 103 Garden Road,
Clayton, VIC 3168 Australia
Phone: +61 (03) 9549 7500
Fax: +61 (03) 9549 7505
E-mail: sales@icom.net.au
URL: <http://www.icom.net.au>

Icom Brazil
Rua Itororó, 444 Padre Eustáquio
Belo Horizonte MG,
CEP: 30720-450, Brazil
Phone: +55 (31) 3582 8847
Fax: +55 (31) 3582 8987
E-mail: sales@icombrasil.com

Icom (UK) Ltd.
Blacksloe House, Altira Park,
Herne Bay, Kent, CT6 6GZ, U.K.
Phone: +44 (0) 1227 741741
Fax: +44 (0) 1227 741742
E-mail: info@icomuk.co.uk
URL: <http://www.icomuk.co.uk>

Icom New Zealand
39C Rennie Drive, Airport Oaks,
Auckland, New Zealand
Phone: +64 (09) 274 4062
Fax: +64 (09) 274 4708
E-mail: inquiries@icom.co.nz
URL: <http://www.icom.co.nz>